


# PRODUCT SHEET

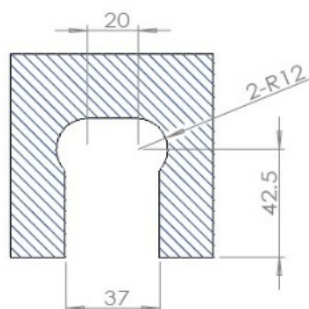
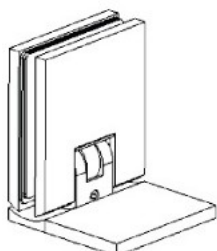
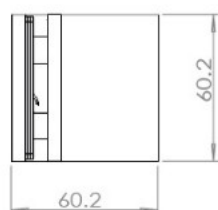
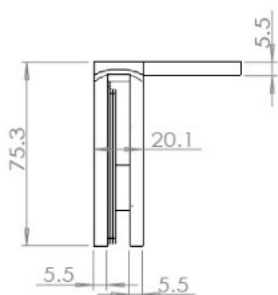
## Description:

Shower Hinge "Lima", Wall/Glass, CPL, Offset Back Pl, 6-10mm Glass Thickness, W/15 DG Angle Adjustment Function & 25DG, Return Function, Brass Material, Hidden Screws., Black Rubber Gaskets: 2 x 1mm & 2 x 2mm Thickness., Load Capacity Pr. Pair: 45kg

## Item number:

15.26.805-0

Units	Box	Carton	HS Code	Barcode
Pcs.			8302100090	
				5704866519021



## SISO A/S

Mileparken 11  
DK-2740 Skovlunde  
Denmark  
VAT: 24786013

Phone +45 45 830 900

[www.siso.dk](http://www.siso.dk)  
[siso@siso.dk](mailto:siso@siso.dk)

Danske Bank  
Nytorv Branch  
Copenhagen  
SWIFT: DABADKKK

Account no.  
4180 3112 112936  
IBAN Account  
DK7230003112112936